

Torqueleader Dual Scale Dial Measuring Screwdrivers

Dial Measuring Torque Screwdrivers for the measurement and application of low torque values.

Range of eight tools

Covering a torque range of 10 - 500 cN.m (14 ozf.in - 40 lbf.in), all featuring dual ISO / Imperial dials.

Choice of drive type

All models available with either 1/4" Square Drive (SD) spindle for use with nut sockets or 1/4" Female Hex (FH) to suit screwdriver bits.

'Track' or 'Memory' mode

All models can be used in either 'track mode' where the pointer 'tracks' the applied torque, or in 'memory mode' where the pointer remains at the maximum torque applied.

The mode is easily changed by withdrawing a slider and resetting the bezel ring.

Modern materials

Stainless steel shafts, attractive coloured aluminium handles and glass filled nylon dials.

Flat torsion spring

Flat torsion spring mechanism gives best linear characteristics in both directions.

Calibration Certificate

Supplied with a Calibration Certificate traceable to International Standards.

Versatile Tools

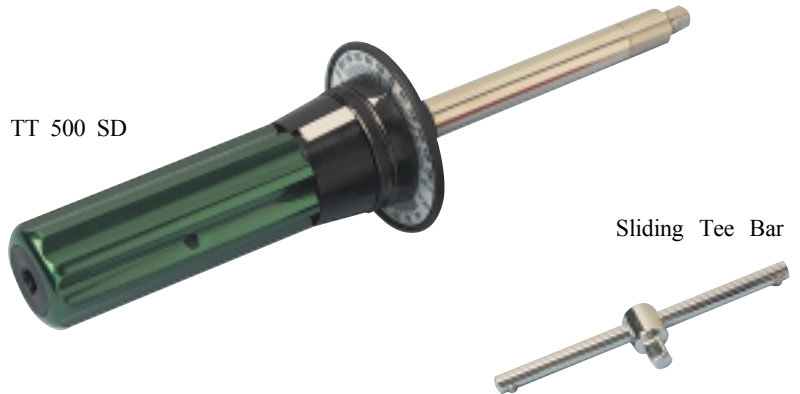
Especially useful for Quality Control and Research and Development as well as assembly operations in industries such as electronics, electrical, domestic appliance and office equipment.

Accessories

Wide range of accessories available.

ESD compliant

TT 500 SD

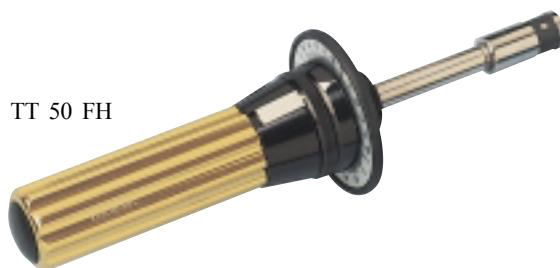


Sliding Tee Bar

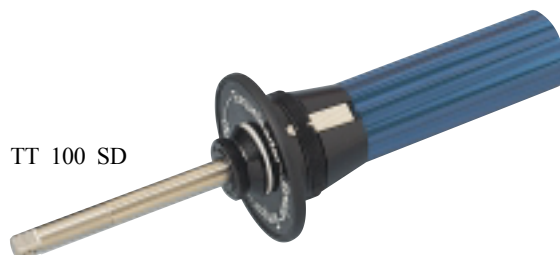
TT 250 FH



TT 50 FH



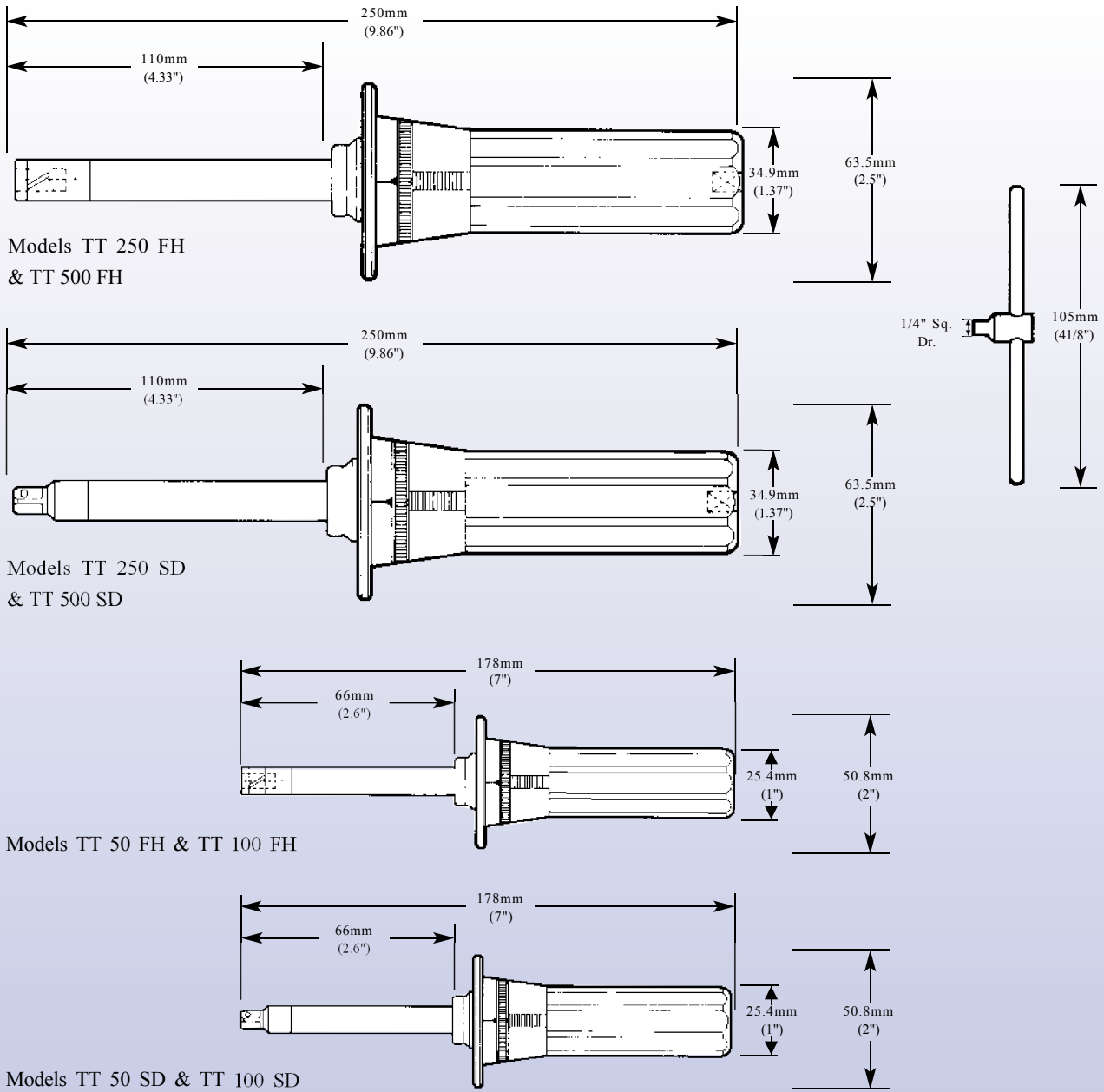
TT 100 SD





The preferred and certified ranges of these tools is in accordance and exceeds the requirements of ISO 6789:1992. (Accuracy +/- 6% of reading).



Torqueleader Dual Scale Dial Measuring Screwdrivers



Model	Ordering Code	Calibrated Range Dual Scale				Drive 1/4"	 g oz		Handle Colour	 ESD
		← Range ISO →	Graduation	← Range Imperial →	Graduation					
TT 50 SD	017000	10 - 50 cN.m	2 cN.m	14-70 ozf.in	2 ozf.in	Square	190	6.7	Gold	
TT 50 FH	017400	10 - 50 cN.m	2 cN.m	14-70 ozf.in	2 ozf.in	Hexagon	190	6.7	Gold	
TT 100 SD	017100	20 - 100 cN.m	5 cN.m	28-140 ozf.in	5 ozf.in	Square	190	6.7	Blue	
TT 100 FH	017500	20 - 100 cN.m	5 cN.m	28-140 ozf.in	5 ozf.in	Hexagon	190	6.7	Blue	
TT 250 SD	017200	50 - 250 cN.m	10 cN.m	4-20 lbf.in	0.5 lbf.in	Square	465	16.4	Red	
TT 250 FH	017600	50 - 250 cN.m	10 cN.m	4-20 lbf.in	0.5 lbf.in	Hexagon	465	16.4	Red	
TT 500 SD	017300	100 - 500 cN.m	20 cN.m	8-40 lbf.in	1 lbf.in	Square	465	16.4	Green	
TT 500 FH	017700	100 - 500 cN.m	20 cN.m	8-40 lbf.in	1 lbf.in	Hexagon	465	16.4	Green	