

# Torqueleader Torque Calibration Analysers

Mechanical, analogue torque calibration analysers.

## Wide range

Fourteen models covering a torque range of 0.5cNm to 4000Nm

## Versatile

Specifically designed to set and calibrate the complete range of Torqueleader Wrenches, Screwdrivers and Handles. Suitable for many other torque applications, eg, setting slipping clutches, friction measurement, etc.

## Easy to use

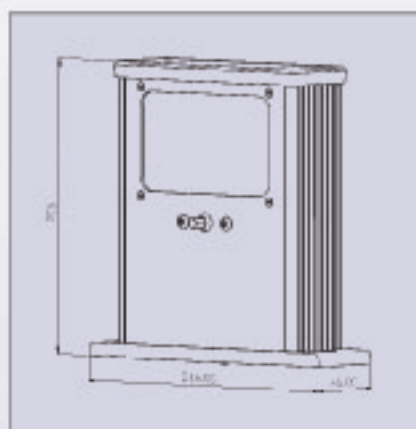
All analysers feature clear, easy to read dual scales. (ISO Metric and Imperial scales).

## Enclosed Mechanism

Mechanism is totally enclosed in attractively finishes aluminium housings-designed for bench mounting.

## Calibration certificate

All models supplied with traceable calibration certificate.



## MTP 10

Ideal for use in workshops, calibration laboratories and production lines.

Dual scale range 0-10cNm and 0-14ozf.in.

Bi-directional mechanism

Fitted with 1/4" male hex drive

Repeatable accuracy of +/- 2% of reading  
Dial Mirror eliminates parallax error.

Incorporates spirit level to confirm accuracy of readings

Uses pendulum effect to measure the applied Torque.

Model	Ordering Code	Range (Dual Scale)				kg lb		Drive in
		ISO	Graduation	Imperial	Graduation			
MTP 10	098100	0 - 10 cNm	0.5 cNm	0 - 14 ozf.in	1 ozf.in	0.98	2.16	1/4" M/Hex

## MTS

Models covering range of 7cNm- 25Nm (10ozf.in-220lb.in) to compliment the Torqueleader range of torque wrenches and small torque wrenches.

New robust and modern design includes angled dial for ease of use.

Repeatable accuracy +/- 2% of reading.

Slave pointer tracks torque, while limit pointers can be used to mark pre-set limits.

Reversible drive adapters provide two drive options per model.

Dual scale ISO metric and imperial range.

Spindle lock eliminate the need to remove tool from drive during torque adjustment.

Input drive shock absorber protects MTS from tool kick back.

