

Torqueleader Dial Measuring Torque Wrenches 'EDS' Models

Two models cover range of 280 to 2000 N.m (200 to 1500 lbf.ft)

Double ended spindles

EDS models are fitted with a double ended non-ratcheting spindle as standard, allowing torque to be measured in both clockwise and anti-clockwise directions.

Square drive

The EDS models feature a 1" square drive, non-ratcheting.

Overload protection

Fitted with overload protection and shock absorbing mechanism for higher torque values.

Audio/Visual signal

Audio/Visual signal alerts the Operator when the required torque is reached.

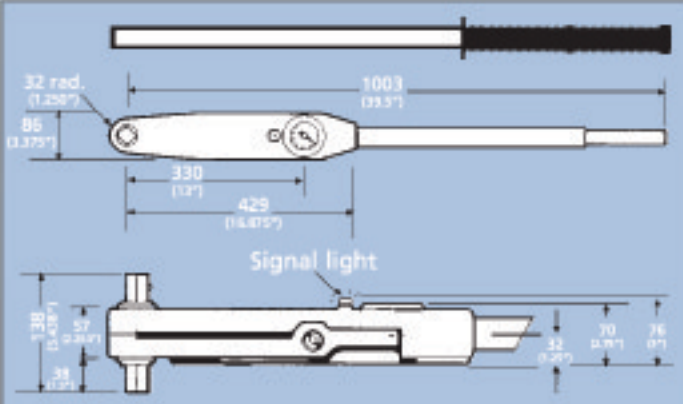
Split handle

The EDS models are provided with split handle for ease of storage.

An EDS Dial Measuring Wrench being used on the Nose Wheel bearing assembly of a Boeing 747-436 aircraft.



The preferred and certified ranges of these tools is in accordance and exceeds the requirements of ISO 6789:2003. (Accuracy +/- 4% of reading).



Model	Ordering Code	Calibrated Range Dual Scale				Square Drive	mm	in	mm	in	kg	lb	Signal
		Range ISO	Graduation	Range Imperial	Graduation								
EDS 14005	010700	280 - 1400 N.m	25 N.m	200 - 1000 lbf.ft	25 lbf.ft	1	138	5.4	2040	80.3	16.69	36.72	•
EDS 20005	010720	400 - 2000 N.m	50 N.m	300 - 1500 lbf.ft	50 lbf.ft	1	138	5.4	2040	80.3	16.69	36.72	•