

Torqueleader Dial Measuring Torque Wrench 'CDS' and 'DDS' Models

CDS 400S model covers range of 80 to 400 N.m (60 to 300 lbf.ft.)

DDS 800S covers range of 160 to 800 N.m (120-600 lbf.ft.)

Double ended ratcheting spindle

The CDS and DDS models are fitted with a double ended ratcheting spindle as standard, allowing torque to be measured in both clockwise and anti-clockwise directions.

Square drive

The CDS 400S and DDS 800S are fitted with 3/4" square drives.

Overload protection

Fitted with overload protection and shock absorbing mechanism for higher torque values.

Audio/visual signal

Audio/Visual signal alerts the Operator when the required torque is reached.



This CDS wrench is being used on the Landing Gear of a Boeing 747 aircraft.



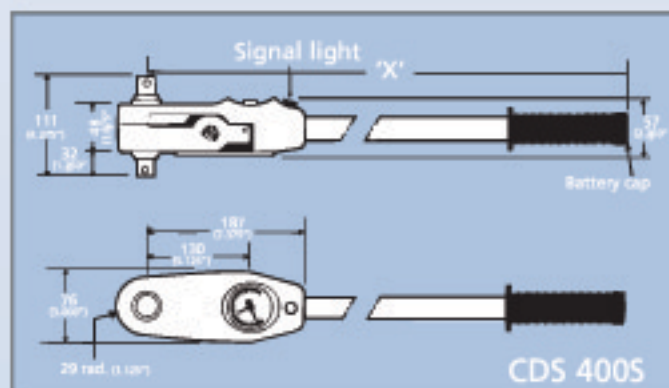
The preferred and certified ranges of these tools is in accordance and exceeds the requirements of ISO 6789:2003. (Accuracy +/- 4% of reading).



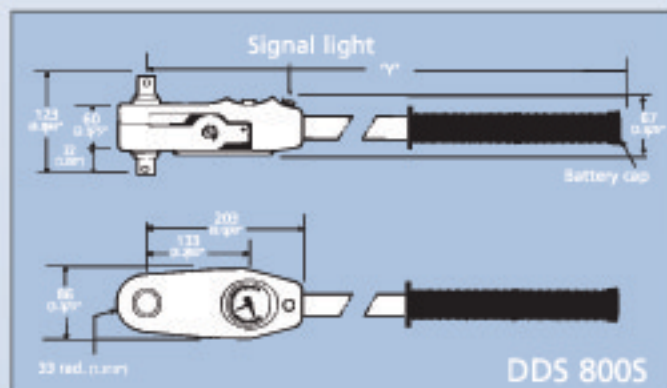
DDS 800S being used to check and tighten wheel nuts on a British Airports Authority Fire Tender

Accessories

See page 14 for Special Extension Spanners



CDS 400S



DDS 800S

Model	Ordering Code	Calibrated Range Dual Scale				Ratchet in	mm		in		kg		lb		Signal
		Range ISO	Graduation	Range Imperial	Graduation		mm	in	mm	in	kg	lb			
CDS 400S	010520	80 – 400 N.m	10 N.m	60 – 300 lbf.ft	10 lbf.ft	3/4	111	4.38	710	27.95	3.15	6.94	•		
DDS 800S	010620	160 – 800 N.m	20 N.m	120 – 600 lbf.ft	20 lbf.ft	3/4	123	4.88	1000	39.37	4.85	10.69	•		