

Torqueleader Dial Measuring Torque Wrenches 'ADS' Models

Eight models covering range 0.8 to 40 N.m (7 lbf.in to 30 lbf.ft)

Double ended ratcheting spindles

All models are fitted with double ended ratcheting spindles as standard, allowing torque to be measured in both clockwise and anti-clockwise directions.

Square drive

ADS models have either 1/4" or 3/8" square drive, depending on torque range – see table below.

Overload protection

All ADS models feature overload protection.

Optional audio/visual signal

Audio/visual signal option alerts the Operator when the required torque is reached.

Storage case

A durable storage case is supplied with all models.

ESD compliant

See page 30.



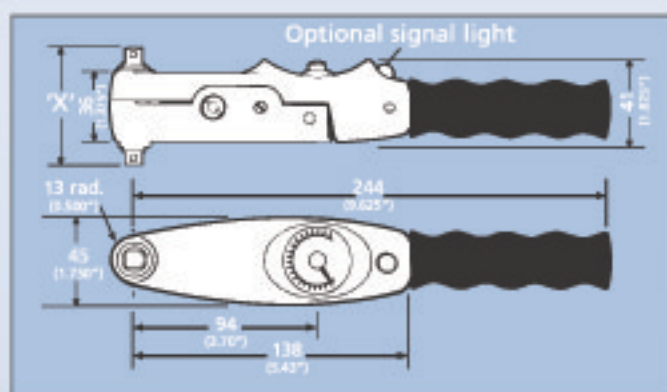
Aston Martin uses the ADS Dial Measuring Wrench to quality audit check torque settings on door fixings.



Accessories
See page 14 for Extension Spanners and Adaptors



The preferred and certified ranges of these tools is in accordance and exceeds the requirements of ISO 6789-2003. (Accuracy +/- 4% of reading).



Model	Ordering Code	Calibrated Range Dual Scale				Ratchet	"X"		mm	in	kg	lb	Signal	ESD
		Range ISO	Graduation	Range Imperial	Graduation		mm	in						
ADS 4	010100	0.8 – 4.0 N.m	0.1 N.m	7 – 35 lbf.in	1 lbf.in	1/4	61	2.40	244	9.60	0.52	1.15		✓
ADS 8	010120	1.6 – 8.0 N.m	0.25 N.m	14 – 70 lbf.in	1 lbf.in	1/4	61	2.40	244	9.60	0.52	1.15		✓
ADS 12D	010140	2.4 – 12 N.m	0.5 N.m	24 – 120 lbf.in	2 lbf.in	1/4	61	2.40	244	9.60	0.52	1.15		✓
ADS 12A	010160	2.4 – 12 N.m	0.5 N.m	24 – 120 lbf.in	2 lbf.in	3/8	69	2.70	244	9.60	0.52	1.15	OPTIONAL	✓
ADS 25	010180	5 – 25 N.m	1 N.m	48 – 240 lbf.in	10 lbf.in	3/8	69	2.70	244	9.60	0.52	1.15		✓
ADS 25F	010200	5 – 25 N.m	1 N.m	4 – 20 lbf.ft	0.5 lbf.ft	3/8	69	2.70	244	9.60	0.52	1.15		✓
ADS 40	010220	8 – 40 N.m	1 N.m	72 – 360 lbf.in	10 lbf.in	3/8	69	2.70	244	9.60	0.52	1.15		✓
ADS 40F	010240	8 – 40 N.m	1 N.m	6 – 30 lbf.ft	1 lbf.ft	3/8	69	2.70	244	9.60	0.52	1.15		✓